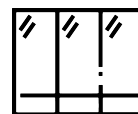


habitat win[®]



**Broadening spaces
and views without
limits...**



**GLASS WALLS
& DOORS LTD.**

EXCEPTIONAL DOORS FOR EXCEPTIONAL HOMES



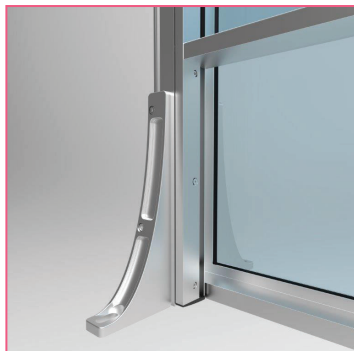
Height adjustable glass windscreen **habitat-win**

Habitat Win is a height adjustable glass windscreen that allow you to enjoy outdoor spaces with friends and family from the beginning of the spring until late autumn. Habitat Win offers the possibility of having an open terrace when the weather is nice and sunny, and at the same time it offers protection against the wind by lifting an adjustable glass panel for continuing enjoying outdoor spaces.

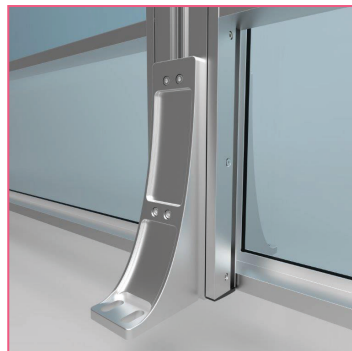
Glass adjustable windscreen habitat-win is designed to be flexible and easily used, as the upper panel can be manually moved, making it a perfect solution for restaurant terraces. Customers can also adjust the height of the windscreen depending on if they want an intimate setting or to enjoy the outdoor environment.

Made from aluminum, standard model is equipped with a 3+3 mm safety laminated glass or 6 mm tempered glass, on both lower fixed panel and adjustable upper panel. There are a variety of different supports and union kits available, made of stainless steel, depending on the configuration of the system.

SUPPORTS



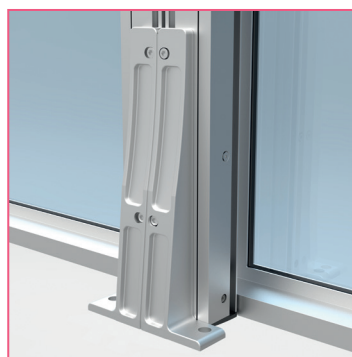
SIMPLE REINFORCED SUPPORT:
Height adjustable floor fastening support.



DOUBLE REINFORCED SUPPORT:
Height adjustable floor fastening support for connecting modules.



SHORT BASE SUPPORT:
Short height adjustable floor fastening support.



SHORT DOUBLE REINFORCED SUPPORT:
Double short height adjustable floor fastening support for connecting modules.



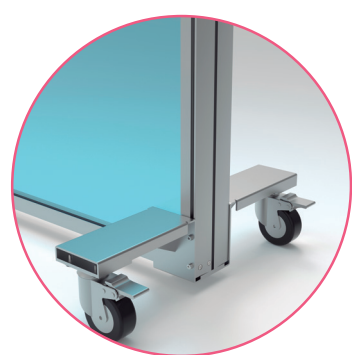
FOREHEAD SUPPORT:
Front height adjustable support.



DOUBLE FOREHEAD SUPPORT:
From height adjustable support.



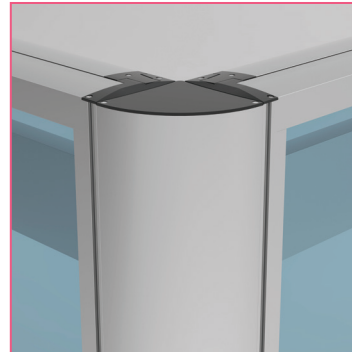
BEARING SUPPORT:
Height adjustable bearing support with brakes on each wheel for places where fastening is not possible.



CONNECTIONS AND LOCKS



LINEAR CONNECTION:
External connection plate for straight line module connection



DECORATIVE PROFILE:
Decorative profile for 90° angle.



WALL CONNECTION:
Screen to wall connection plate.



LOCK:
Locking system that allow you to block the adjustable panel at the desired height.

TECHNICAL SPECIFICATIONS

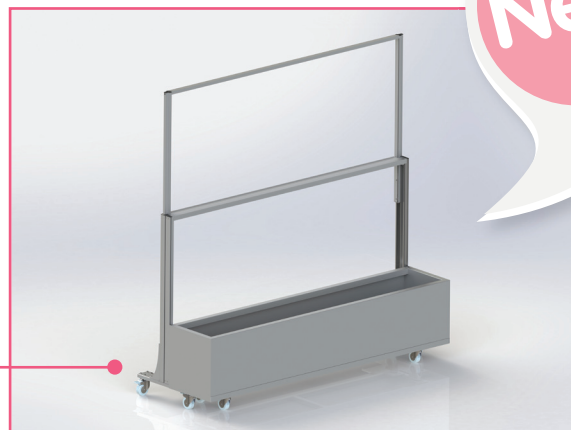
WIDTH	Maximum 2000 mm per module
HEIGHT	4 standard measures: A (closed / lower section) B (opened / upper section) A) 950/1600 (42 Kg/ml) A) 1350-2200 (56 Kg/ml) B) 1150-2000 (52 Kg/ml) B) 1550-2400 (60 Kg/ml)
THICKNESS	90 mm.
GLASS	3 + 3mm laminated glass or 6mm tempered glass in the lower and upper section. Glass can be personalized with extra clear glass, matt finished glass or other types of glasses.
FINISHES	Standard finishes: 9006 nature gray and white. Available in all RAL and anodized colors.
INSTALLATION	Different supports, connectors and 90° angle options available. All the accessories are made of stainless steel.
OPTIONS	Panel stoppage at any height. Key Lock for lowered / raised position. Ask for more possibilities.

NEW COMPLEMENT FOR HEIGHT ADJUSTABLE GLASS WINDSCREEN

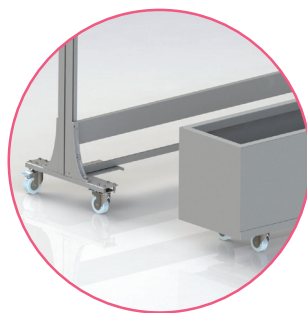
Refurbish you terrace with a new pot support for your windscreen.



Option windscreen + fixed pot support.



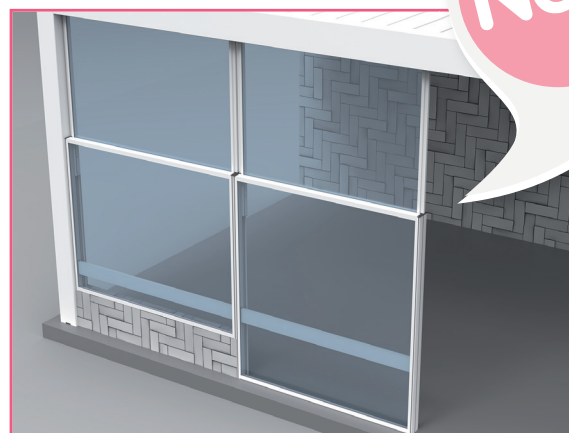
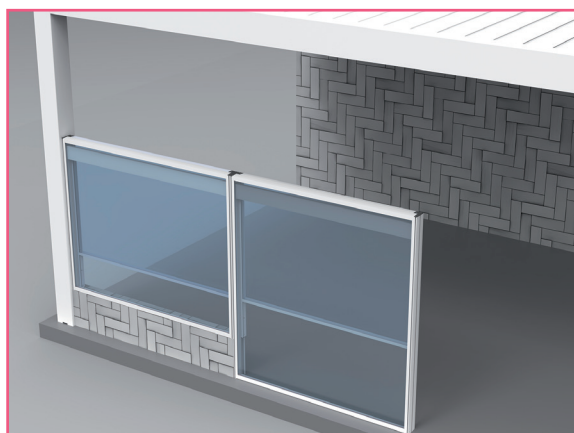
Option windscreen + bearing pot support..



New

NEW ADJUSTABLE GLASS WINDSCREEN SYSTEM

New measure for height adjustable glass windscreen 1550 / 2400 mm, perfect for covering open spaces such as pergolas, restaurants and similar open spaces.



New

TESTS AND CERTIFICATES

Height adjustable glass windscreen habitat-win is fully manufactured in SPAIN. All the components are designed and manufactured by C3 Systems S.L. This product has been tested for wind resistance watertightness according to the regulations required.



Habitat-Win product has a **CE mark**, as we endorse the production properly sealed and signed.



Windscreen **habitat-win** fulfills international requirements for aluminum powder coating **Qualanod**, **Qualideco** and **Qualicoat**.

Documento N° 240046 Hoja 1 de 8

RESISTENCIA A LAS CARGAS DE VIENTO.

Empresa: **C3 SYSTEM, S.L.**
c/ Juan De Herrera nº 34,
Elche Parque Industrial.
03203- Elche, Alicante.

Producto: **CORTAVIENTOS**

Modelo: **AIR v2**

Fabricante: **C3 SYSTEM, S.L.**

Dimensiones, (Ancho x Alto) mm.
Posición plegado **2000 x 1905**
Posición desplegado **2000 x 1100**

Material: **Aluminio L- 6063/ ISO AlMg0, 5Si**

Acristalamiento: **Vidrio Float Templado de 6mm.**

Fecha de Ensayo: **19.11.2015**

Normas de Ensayo:
UNE-EN 1932:2014. Celdas exteriores y perfiles. Resistencia a las cargas de viento. Método de ensayo y criterios de prestaciones.
UNE-EN 13055:2004-A1:2009. Perfiles. Requisitos de prestaciones.

Sección y/o fotografía:

Resistencia a la carga de viento **CLASE 6**

Navarrete a 27 de Noviembre de 2015

Organismo Notificado N° 1008

Firmado digitalmente por
NOMBRE GARCIA VIGUERA
LUS - NIF 16537975D
Número de reconocimiento
(DNI-e) eS-44-FMNT-
004-FMNT Clase 2 CA,
0040007903L con DOMINIO
GARCIA VIGUERA LUS - NIF
16537975D

Luis García Viguera
Responsable Técnico

El presente documento extrae y refleja los resultados asociados al informe de ensayo n° 240046 de fecha 19.11.2015
Para una adecuada identificación de las características del material ensayado y de los resultados obtenidos es imprescindible disponer de la documentación referida.

Documento N° 240043 HOJA 1 DE 10

BARANDILLAS. ENSAYOS ESTÁTICOS, DINÁMICOS Y DE SEGURIDAD.

Empresa: **C3 SYSTEM, S.L.**
c/ Juan De Herrera nº 34,
Elche Parque Industrial.
03203- Elche, Alicante.

Producto: **CORTAVIENTOS**

Modelo: **AIR v2**

Dimensiones, (Ancho x Alto) mm.
Posición plegado **2000 x 1905**
Posición desplegado **2000 x 1100**

Material: **Aluminio L- 6063/ ISO AlMg0, 5Si**

Acristalamiento: **Vidrio Float Templado de 6mm.**

Fecha de Ensayo: **26.11.15**

Normas de Ensayo:
UNE-EN 238-91. Barandillas. Método de ensayo. Presentación del informe de ensayo.

Sección y/o fotografía:

Ensayo estático horizontal hacia el exterior **Cumple**

Ensayo estático horizontal hacia el interior **Cumple**

Ensayo estático vertical **Cumple**

Ensayo dinámico de cuerpo blando de grandes dimensiones **Cumple**

Ensayo dinámico de cuerpo duro **Cumple**

Ensayo de seguridad **Cumple**

Navarrete a 03 de Diciembre de 2015

Firmado digitalmente por
NOMBRE GARCIA VIGUERA
LUS - NIF 16537975D
Número de reconocimiento
(DNI-e) eS-44-FMNT-
004-FMNT Clase 2 CA,
0040007903L con DOMINIO
GARCIA VIGUERA LUS - NIF
16537975D

Luis García Viguera
Responsable Departamento

El presente documento extrae y refleja los resultados asociados al informe de ensayo n° 240043 de fecha 26.11.15
Para una adecuada identificación de las características del material ensayado y de los resultados obtenidos es imprescindible disponer de la documentación referida.

APPLICATIONS



- 1 Height adjustable according to the need.
- 2 Mobile system option, easily removed when needed.
- 3 Wind and harsh weather conditions protection.
- 4 Adjustable to customer's needs.
- 5 Adaptable to any restaurants, coffee shops, terraces,....
- 6 Do not sacrifice views in order to protect yourself against harsh weather conditions.